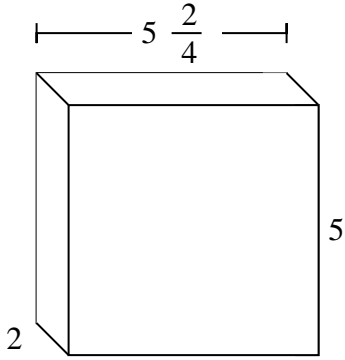


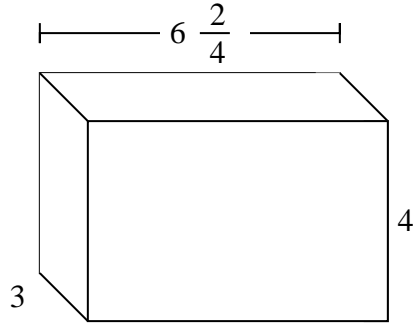


Fill each rectangular prism with cubes to determine the volume. Each prism's unit is measured in cm (not to scale).

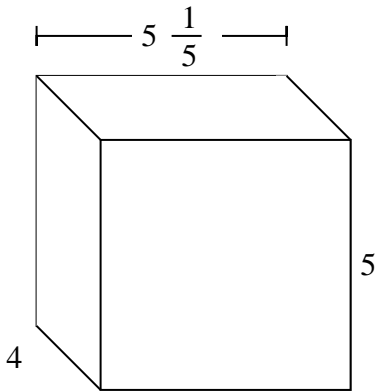
Ex)



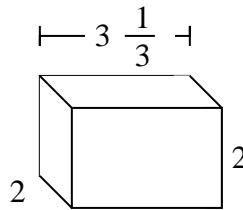
1)



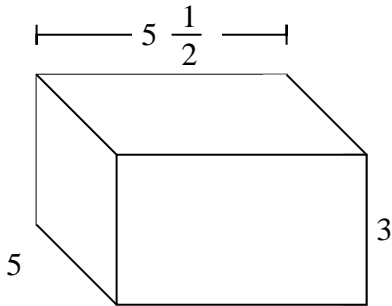
2)



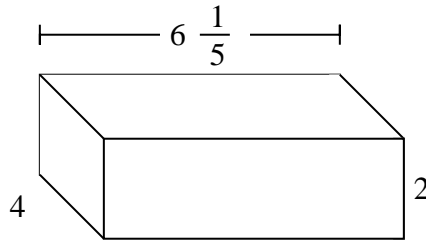
3)



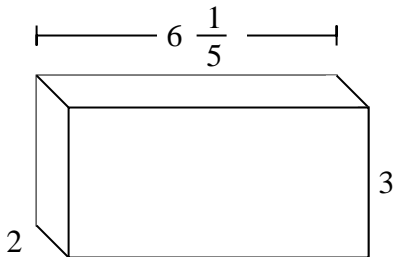
4)



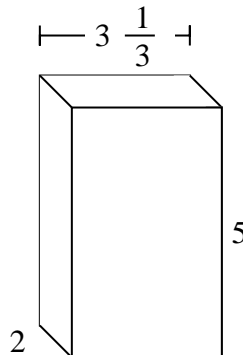
5)



6)



7)

**Answers**Ex. 55 cm

1. _____

2. _____

3. _____

4. _____

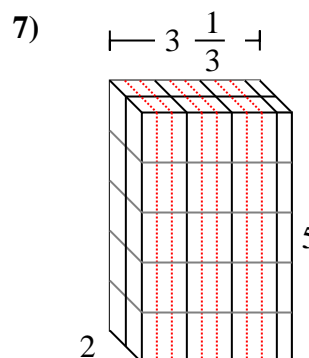
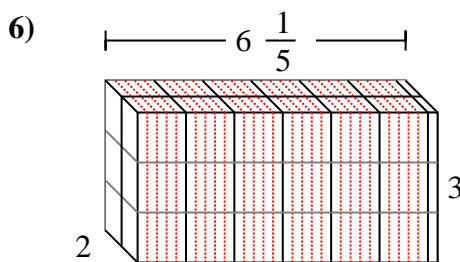
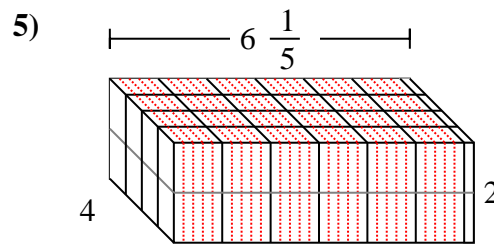
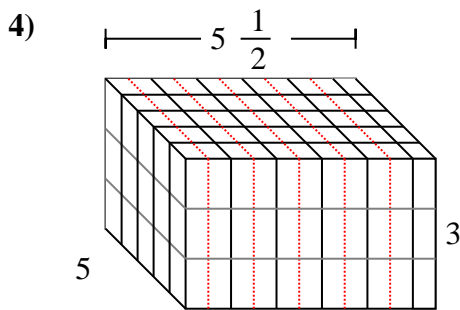
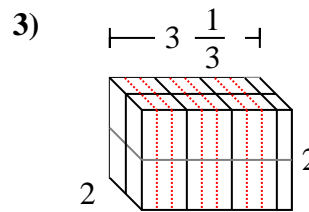
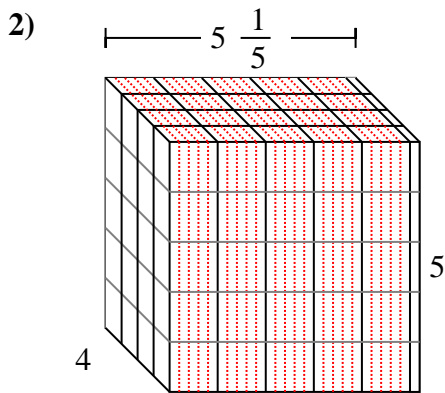
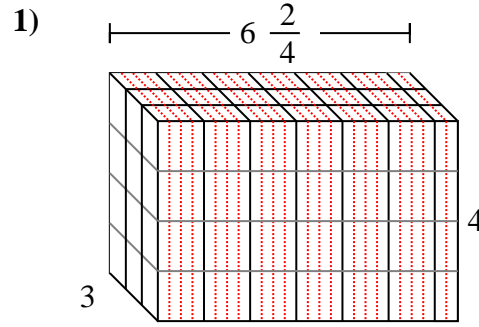
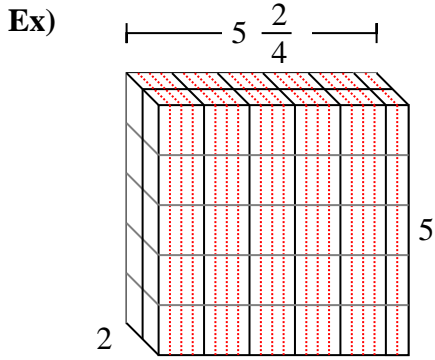
5. _____

6. _____

7. _____



Fill each rectangular prism with cubes to determine the volume. Each prism's unit is measured in cm (not to scale).

AnswersEx. 55 cm1. 78 cm2. 104 cm3. 13 $\frac{1}{3}$ cm4. 82 $\frac{1}{2}$ cm5. 49 $\frac{3}{5}$ cm6. 37 $\frac{1}{5}$ cm7. 33 $\frac{1}{3}$ cm